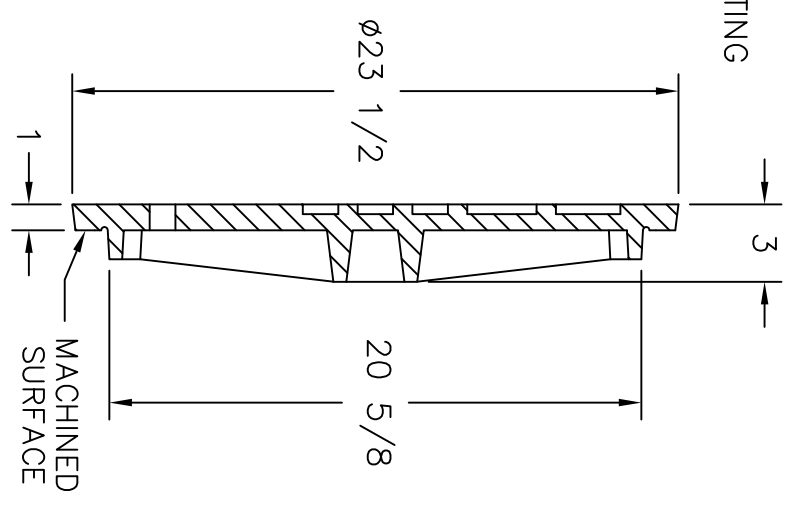
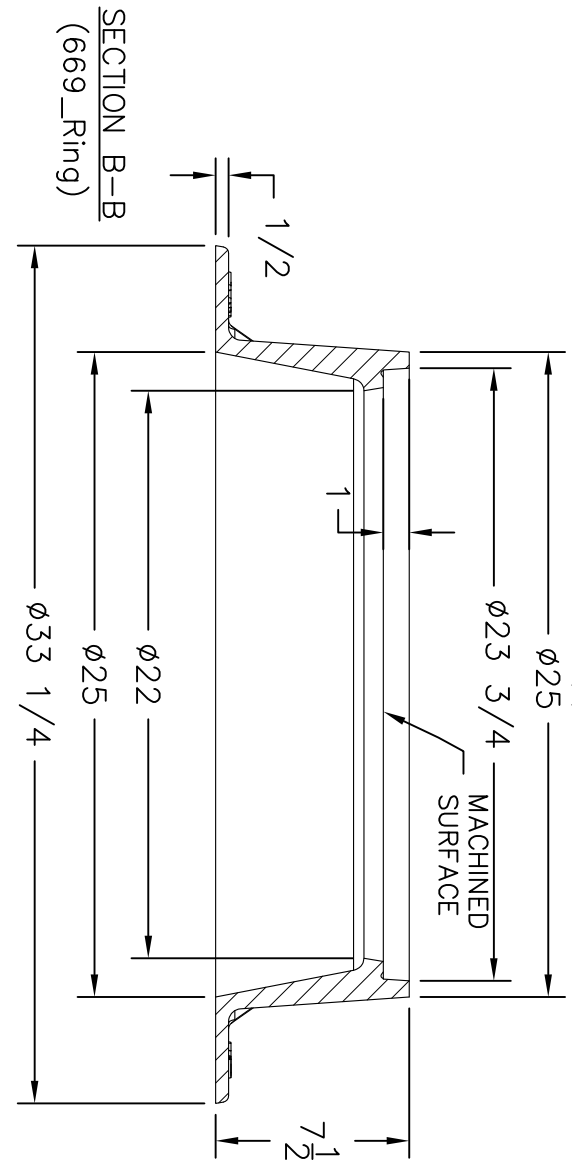


(2) NON-PENETRATING PICKHOLES

4X Ø1" ANCHOR HOLES
 Ø29 3/4 BC @ 90°



SECTION A-A (Cover)



SECTION B-B
 (669_Ring)

US FOUNDRY & MFG. CORP.
 8351 NW 93rd Street, Medley, FL 33166-2025
 ph: 1-800-432-9709; fax: 305-887-9429
 www.usfoundry.com
 © 2010 US Foundry & Mfg. Corp. All Rights Reserved

USF 669 RING & KL COVER

LOAD CLASSIFICATION: Heavy Duty	
MATERIAL: ASTM-A48 GRAY IRON CLASS35B	
Ring No: 8020009	WGHT: 190
Cover No: 125	SCALE: 1/8"=1"
DATE: 125	DATE: 125
REV: DATE: REV BY: QUOTE#	OWN. BY: ULS

UNLESS OTHERWISE NOTED WEIGHTS IN POUNDS AND APPROXIMATED