

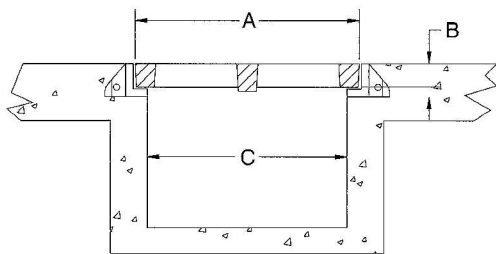
U.S. FOUNDRY & MANUFACTURING CORPORATION

TRENCH GRATE SOLUTIONS

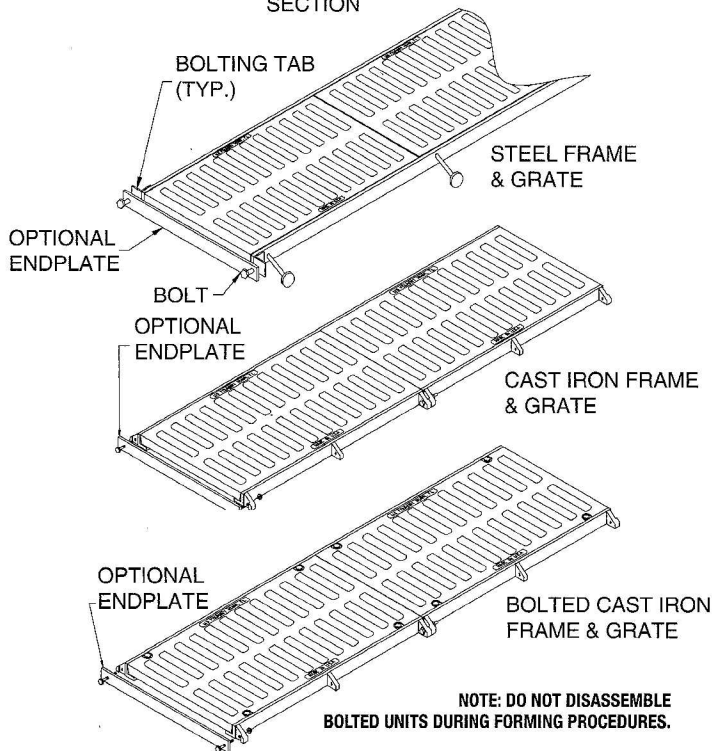
1. Please specify catalog number when ordering.
2. Grates are furnished in 2" lengths.
3. Frames are available in 24" Cast Iron or Steel Angle.
4. Specify end pieces, if required.
5. All grates can be bolted to frame.
6. All grates are Heavy Duty Loading.
7. Solid covers are available in all sizes. Please specify solid when ordering.

HEAVY DUTY STANDARDS

GRATE NUMBER	"A" WIDTH	"B" SEAT HEIGHT	"C" CLEAR OPENING	FLOW AREA
6451	8	1½	6	70
6452	10	1½	8	75
6453	12	1½	10	100
6454	14	1½	12	116
6455	17	1½	15	132
6456	20	1½	18	138
6457	23	1½	21	161
6458	26	1½	24	192
6461	30	2	27	212



TYPICAL TRENCH SECTION



NARROW SLOTTED GRATES

GRATE NUMBER	"A" WIDTH	"B" SEAT HEIGHT	"C" CLEAR OPENING	FLOW AREA
6266	8	1½	6	30
6267	10	1½	8	35
6268	12	1½	10	50
6269	14	1½	12	60

All grates have 3/8" wide slots and are commonly used in pedestrian applications or where ADA compliance is required.

